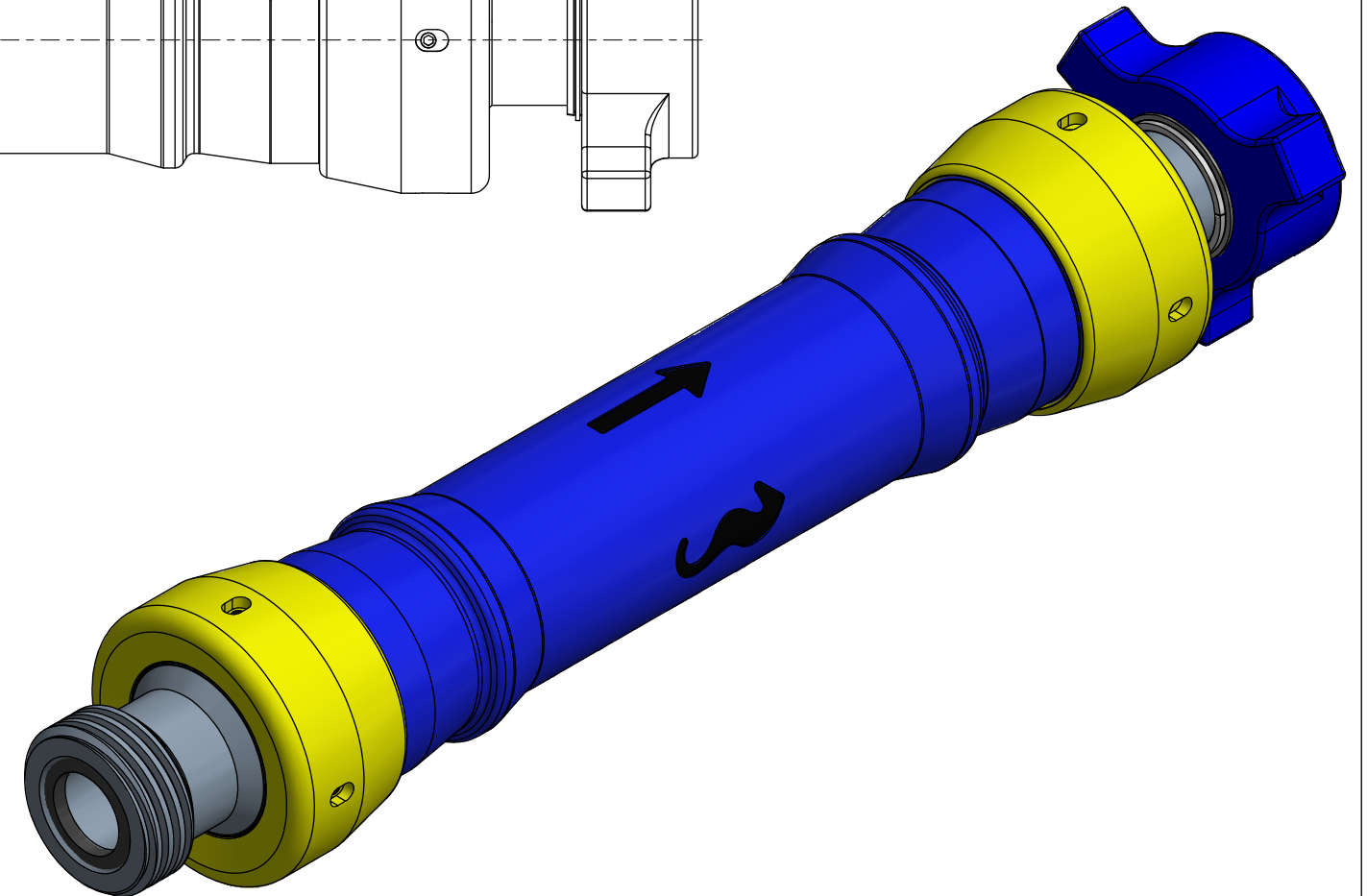
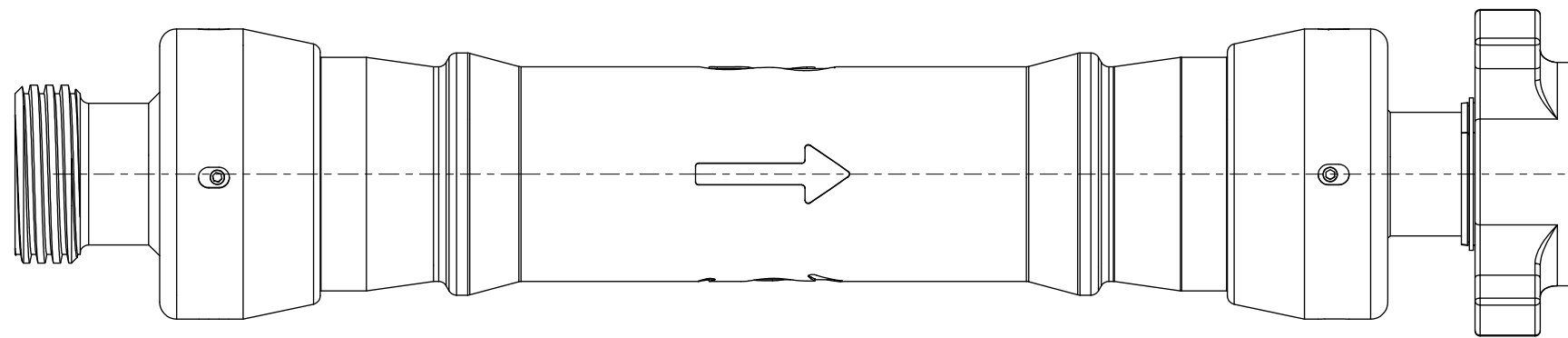
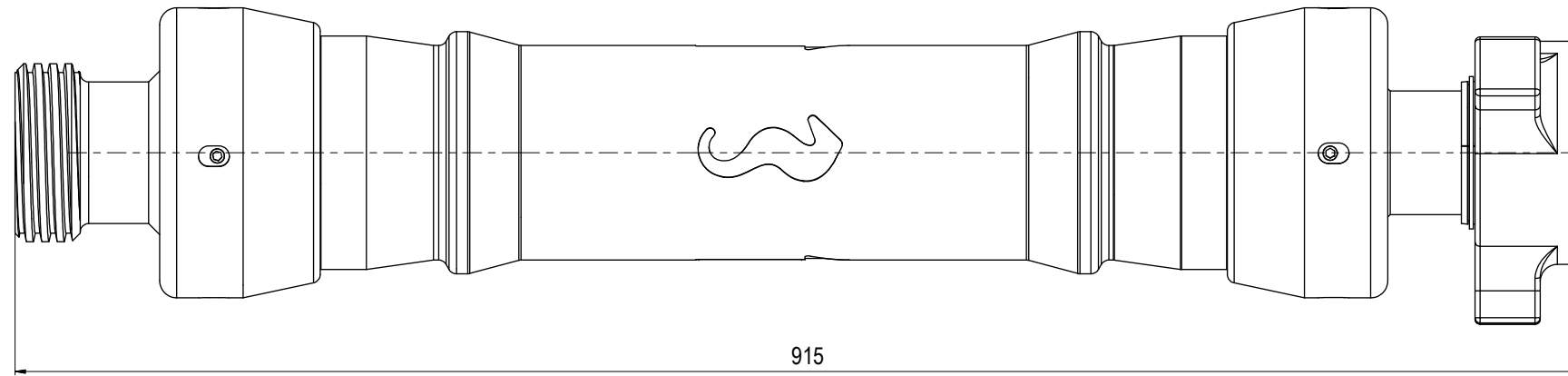
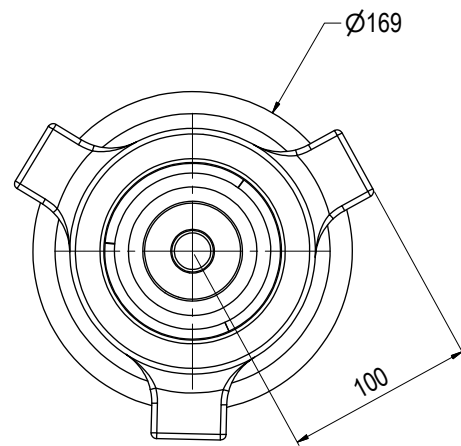


NOTE: 1  
 DESIGN CODE:  
 N/A

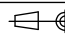
NOTE: 2  
 TECHNICAL CLASSIFICATION:  
 Article Type: 007-Valves  
 Main Group: 7.01. One Way Valves  
 Intermediate Group: 7.39.07. 2"  
 Sub Group: 7.39.208.03. 10+ Bar

NOTE: 3  
 INTERFACE INFORMATION:  
 Pressure Rating Bar: 690  
 Material: Intervention  
 Weight: 60,5 kg  
 Volume: 7,75 dm<sup>3</sup>  
 Surface Area: 12849 cm<sup>2</sup>  
 Hydraulic: 2" Fig 1502  
 Mechanical: N/A  
 Electrical: N/A  
 Com. & Protocol: N/A



|      |            |                        |                 |      |       |       |
|------|------------|------------------------|-----------------|------|-------|-------|
| 09   | 2.7.2025   | 9-IFU (Issued for Use) |                 | HNJ  | TAN   | HNJ   |
| 08   | 13.6.2016  | 9-IFU (Issued for Use) |                 | WTJ  | EKJ   | WTJ   |
| 07   | 25.4.2016  | 9-IFU (Issued for Use) |                 | HNJ  | LAE   | HNJ   |
| 06   | 25.11.2015 | 9-IFU (Issued for Use) |                 | WTJ  | HNJ   | WTJ   |
| Rev. | Date       | Reason for issue       | Revision change | Made | Chk'd | Appr. |

**BLUE LOGIC** 

Dwg Scale:  
 NTS  
 Dwg Proj:  
  
 Dwg Format:  
 A3

Drawing title:  
 2" Surplusing Valve DN 50

Drawing number:  
 BA5972

Rev.  
 09